

EV2000 SERIES Evacuation Units

The EV2000 series evacuation units are a combined tone generator and amplifier used to alert and evacuate occupants of a building in an emergency situation. They can be operated manually, or automatically from the Fire Panel. The units also have the facility to allow the use of the speaker system for everyday paging via two separate inputs. One for a hand held microphone and the other for a desktop paging microphone/ music source. The EV2000 units are normally supplied in modular form for easy fitting to new or existing panels. They also can be supplied in a cabinet with their own batteries and charger as a stand alone configuration. Available in 15, 40, 60, 120 and 250 watt models.

Features:

- ⇒ Tones supplied to AS2220 or ISO8201 (marked T3)
- ⇒ C-Tick approved
- ⇒ 24 volt DC operation
- ⇒ Fire Indicator Board input
- ⇒ 0-9 minute digital Alert to Evacuate timer
- ⇒ Hand-held microphone input
- ⇒ Desk microphone/background music input
- ⇒ 100 volt speaker output with line monitoring
- ⇒ Output for speaker fault condition
- ⇒ Alert and Evacuate strobe relay outputs
- ⇒ Control output
- ⇒ Facility for plug in voiceover card
- ⇒ 003 Key Switch as standard (*ie Off/Auto/Evac.*)

Optional Extras:

- ⇒ Hand-held microphone (C.B type)
- ⇒ Desk microphone std or with pre-amp
- ⇒ Multi-zone paging microphones, 8, 16 & 32 zone
- ⇒ Message card (*Alert/Evac/False Alarm & Test*)
- ⇒ Keypad control with 003 keyswitch & touch controls.
- ⇒ Selector-switch (*Off/Auto/P.A/Alert/Evac*)
- ⇒ Strobe relay card 5 amp with monitoring, allows you to drive strobes using only 2 wires.
- ⇒ LMU4 4 zone line monitoring cards, for use with multiple speaker circuits.
- ⇒ Cabinet
- ⇒ Batteries and chargers

Instructions

Key switch (PAU jumper fitted)

“**Auto**”- The system is in stand-by mode. If a fire alarm is activated, the alert tone will sound. If the timer has been set, the alert tone will time out and change to the evacuate tone.

The hand microphone (If fitted) can be activated by pressing the push-to-talk button on the side of the microphone and speaking into the microphone.

Auto is the only position in which the 003 key can be removed.

The auxiliary input (M2) will only operate in Auto and is disabled if an alarm occurs.

“**Off Position**”- the system is disabled from distributing audible & visible signals throughout the building.

“**Evac Position**”- Evacuation tone will sound. The hand microphone (If fitted) can be activated by pressing the push-to-talk button on the side and speaking into the microphone. This will override the evacuation tone.

Selector switch (PEV jumper fitted)

“**Off Position**”- the system is disabled from distributing audible & visible signals throughout the building.

“**Auto**”- The system is in stand-by mode, if a fire alarm is activated, the Alert tone will sound, if timer has been set the tone will change to Evacuate. The auxiliary input (M2) will only operate in Auto and is disabled if an alarm occurs.

“**P.A. Position**”- The hand microphone (if fitted) can be activated by pressing the push-to-talk button on the side of the microphone and speaking into the microphone.

“**Alert Position**”- manually selects the Alert tone.

“**Evac Position**”- manually selects the Evacuation tone.

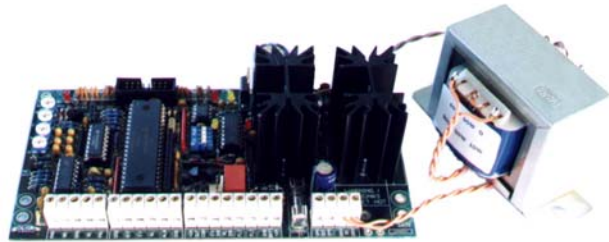
Model SZ40

EV2000 Series

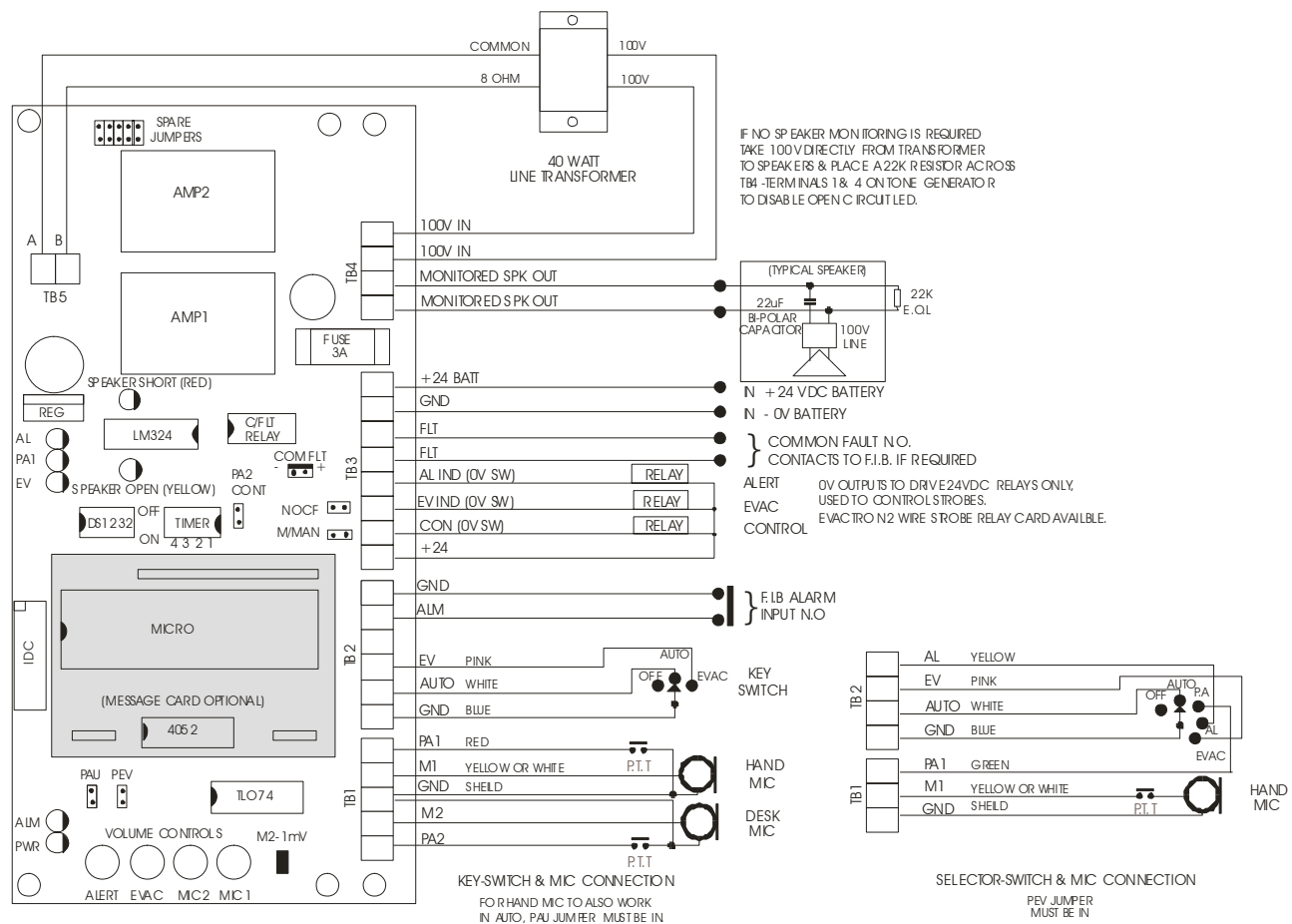


SPECIFICATIONS

Wattage output	40watts
Voltage output	100 volt line
Speaker impedance	250 ohms max
Voltage supply	23-30vdc
Current stand-by	140mA
Current loaded	2.8 Amp
Fuse rating	3A m205
Alert tone	Stepped 420 Hz on-off 6.25secs
Evacuation tone 2220	Increasing 500-1200 Hz for 3.25 secs @ 4 secs
Evacuation tone T3	Temporal pattern - 3 x 0.5s pulses 500-1200 Hz for 3 secs off for 1.5 secs
	Note T3 replaces 2220 Evacuation tone on units marked T3 on micro.
Dimensions	Card 170L x 90W x 60 mm H
	Transformer 100L x 60W x 60 mm H



CIRCUIT DIAGRAM



NOTE – TYPICAL REDBACK MICROPHONE CONNECTIONS		
EV2000	C-0333 MIC	C-0335 MIC
GND	SHIELD/BLUE	SHIELD/WHITE/BLACK
M1 (MIC AUDIO)	WHITE	RED
PA1 (0V P.T.T)	RED	BLUE